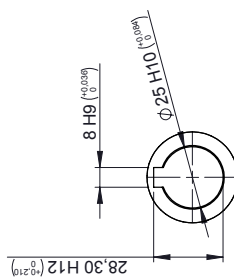
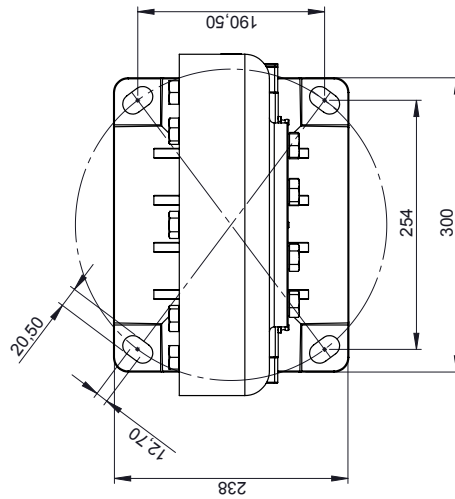
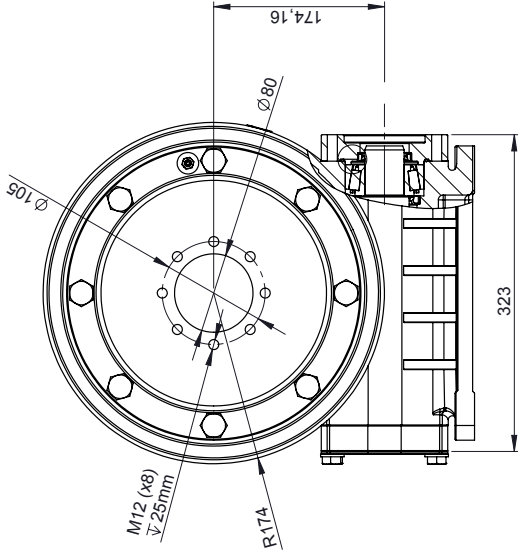
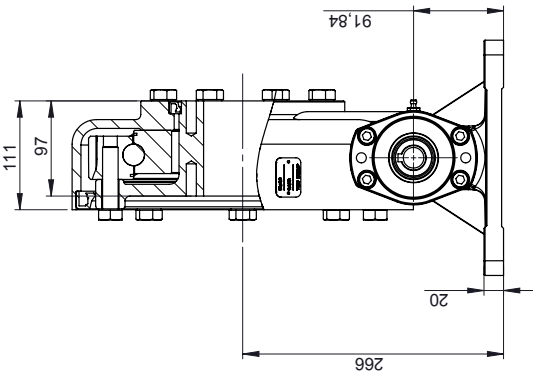
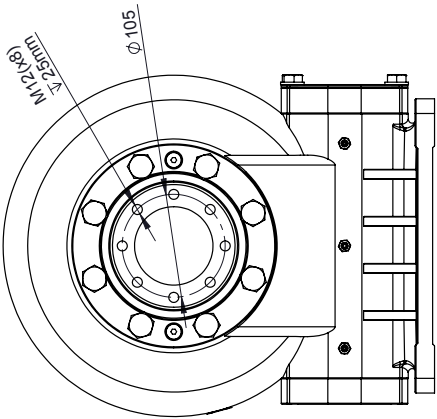
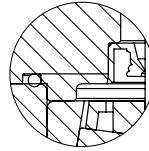


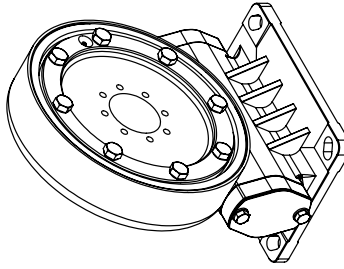
# VERTICAL SERIES



Input shaft detail  
Scale 1:2

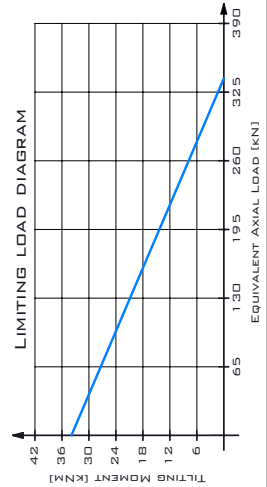


Lip seal detail  
Scale 1:1



MAIN PERFORMANCE PARAMETERS	
GEAR RATIO	6:1:1
EFFICIENCY	40%
SELF-LOCKING GEAR	YES
BACKLASH CLEARANCE	< 0.17%
MAXIMUM TORQUE	8.835NM
NOMINAL TORQUE	7.320NM
HOLDING TORQUE	35K9M
TILTING MOMENT	33.9K9M
RADIAL STATIC LOAD	135KN
AXIAL STATIC LOAD	338KN
RADIAL DYNAMIC LOAD	71KN
AXIAL DYNAMIC LOAD	81KN

NOTES: ALL BEVY DRIVE ARE PRE-LUBRICATED. MAXIMUM OUTPUT SPEED 1000RPM.



>1200	±1.2
>400.0 - 1200	±0.8
>120.0 - 400.0	±0.5
>30.0 - 120.0	±0.3
>6.0 - 30.0	±0.2
>3.0 - 6.0	±0.1
>0.3 - 3.0	±0.1
Unlimited	Unlimited

Reference: TGZ314-Z1-RM

Denomination	Units: mm	Units: mm
TGZ314-Z1-RM	mm	mm

Material	Weight [kg]	Num. Pieces
-	66.15	1

Scale	Size	Rev
-	-	A

